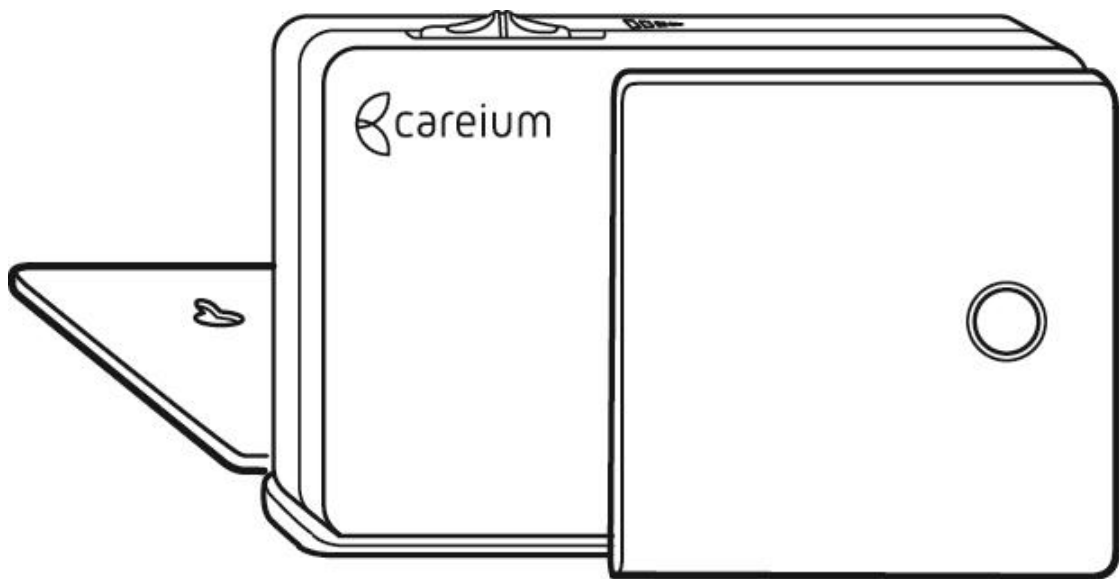


Motion⁹²⁰⁰



USER GUIDE

© 2023 Copyright Careium Sweden AB, Rev E

Careium Sweden AB, Jörgen Kocksgatan 1 B, 211 20 Malmö, Sweden

Corporate identification number: 556569-9740

TABLE OF CONTENTS

- SAFETY INFORMATION 4
 - Medical units 5
 - Important information 5
- PACKING CONTENTS 6
- FUNCTIONAL DESCRIPTION 6
 - Overview..... 7
 - Motion ⁹²⁰⁰ and the basic functions 8
 - A – Motion alarm, basic mode 9
 - B – Motion alarm, inactivity alarm..... 9
 - E – Motion alarm, ON/OFF disabled..... 9
 - Indicator lamp 9
- INSTALLATION 10
 - Removing protective strip from battery 10
 - Pairing the Motion with a carephone 10
 - Installation of Motion 11
 - A – Motion alarm, basic mode 12
 - B – Motion alarm, inactivity alarm..... 12
 - E – Motion alarm, ON/OFF disabled..... 13
- MAINTENANCE 14
 - Cleaning..... 14
 - Battery 14
- TECHNICAL INFORMATION..... 15
 - Motion 15
- ENVIRONMENT..... 15
- ENVIRONMENTAL INFORMATION 16
- DECLARATION OF CONFORMITY 16

SAFETY INFORMATION



Always read and follow the safety information accompanied by this symbol.

- Always test the system according to the instructions before use and always test the product after adjustments have been made.
- The device is not always suitable for all users and should not be seen as a substitute for the caregiver's monitoring routines.
- The device is NOT intended for life-sustaining equipment, where any technical failure may result in serious injury or death.
- Check the unit regularly and replace if necessary.
- Users should pay particular attention to the potential for interference from other systems operating in the same or adjacent radio frequency bands.
- The compartment covers may be opened only by authorized persons in accordance with the instructions in the service manual.
- Battery replacement may be performed only by authorized persons in accordance with the instructions in the Maintenance section. Only use recommended battery type as stated in the Technical Data section.

CAUTION! Only use batteries, power supply and accessories that have been approved for use with this particular model. Connecting other accessories may be dangerous and may invalidate the type approval and guarantee.

- Only use recommended power supply as stated in the Technical Data section.
- The power supply can be used as a disconnecting device. The wall socket shall be installed near the equipment and shall be easily accessible.

IMPORTANT! This device use radio signals. This means that connection cannot be guaranteed in all circumstances.

Medical units

The use of equipment that transmits radio signals as a social alarm, can interfere with insufficiently protected medical equipment. Consult a doctor or the manufacturer of the equipment to determine if it has adequate protection against external radio signals, or if you have any questions.

To avoid potential interference, manufacturers of implanted medical devices recommend a minimum separation of 15 cm between a wireless device and the medical device.

If you have any reason to suspect that interference is taking place, turn off the device immediately. If you have any questions about using your wireless device with an implanted medical device, consult your health care provider.

Important information

All systems using radio and network communication are subject to interference beyond the user's control.

Products from Careium are designed to minimize the impact of such interference.

Nevertheless, the user must be aware that system components can be subjected to interference or other influences that may cause malfunction.

It is therefore important to regularly check that every part of the system works in all areas, especially radio communications. Contact your supplier immediately in case of any suspected malfunction.

Users should pay particular attention to the risk of disruption from products which communicate using the same or adjacent radio frequency bands.

For further information, please contact your supplier or refer to the service manual or the documentation at www.careium.com/support/.

PACKING CONTENTS

The packing contains:

- One Motion including mounted batteries.
- Screws for mounting the Motion on a wall, door frame etc.

FUNCTIONAL DESCRIPTION

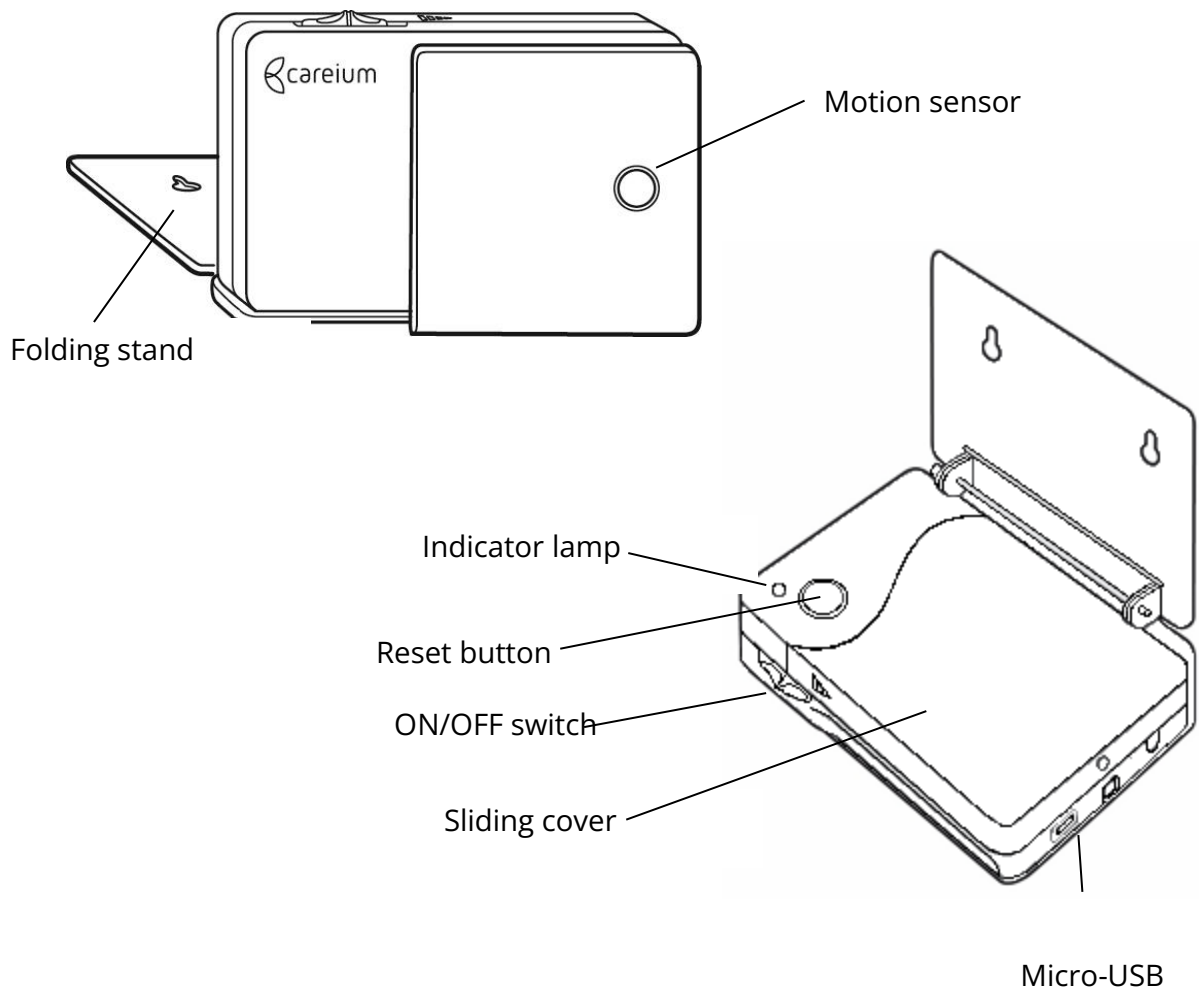
The Motion is a wireless radio accessory with a built in motion sensor to alarm when motions are detected in the sensor's detection area.

The Motion can be used as an inactivity alarm, meaning that an alarm is triggered if no motions occurs during a programmed time interval.



The Motion is only powered with batteries.

Overview

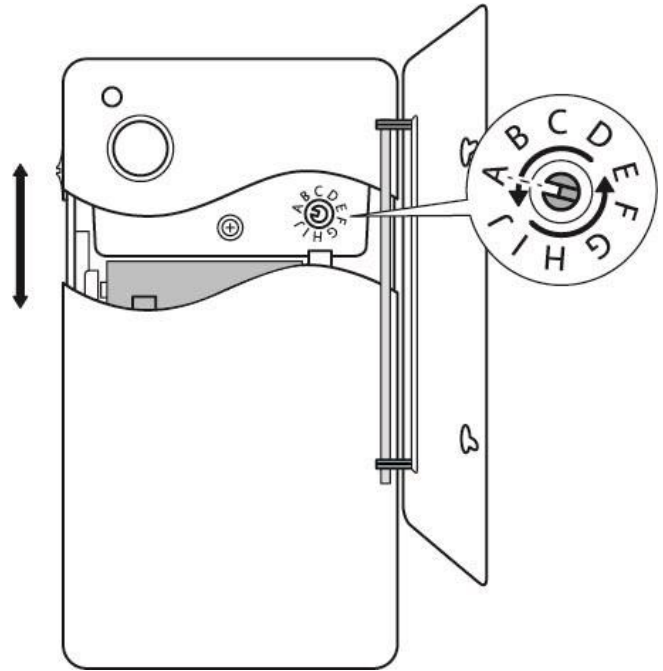


Motion 9200 and the basic functions

By opening the sliding cover to the first position access is given to the function selector with 10 optional setups.

Choose position, A-J, depending on how the unit shall be used. Use a suitable screwdriver for setting the knob in correct position.

See below for the preprogrammed positions used for Motion.



A – Motion alarm, basic mode

When the Motion is set to position A, the unit is working as a motion alarm. An alarm is triggered when motions are registered by the motion sensor.

B – Motion alarm, inactivity alarm

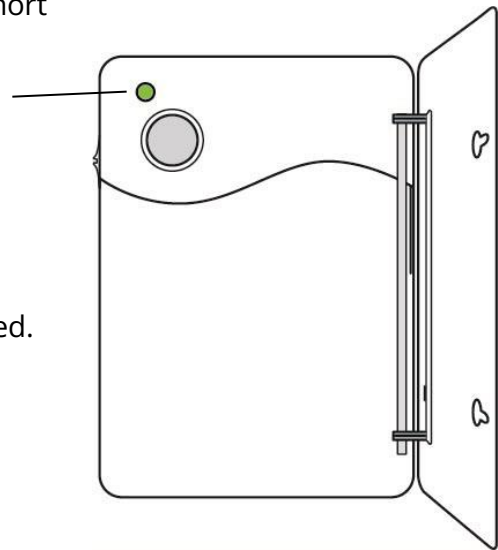
When the Motion is set to position B, the unit is working as an inactivity alarm. An alarm is triggered if no moments are registered during a programmed time interval. Places for surveillance can be the bedroom, the kitchen, the hallway etc.

E – Motion alarm, ON/OFF disabled

When the Motion is set to position E, the unit is working as a motion alarm, but the ON/OFF switch is disabled. Setting the ON/OFF switch to OFF is avoided by doing this.

Indicator lamp

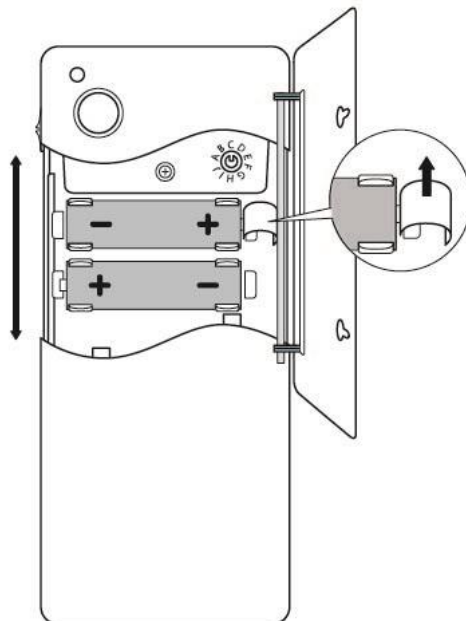
- **Green short light:**
Confirmation of an alarm is indicated with a short green light.
- **Constant green light:**
The unit is connected with USB.
- **Green flashing light (every 6th second):**
The unit is powered by batteries.
- **Red light:**
During startup, the indicator lamp is lighting red.
During transmission of a radio message, the indicator lamp is lightning red.
- **Red flashing light (every 6th second):**
The unit is powered by internal batteries, low voltage level. Replacing the batteries is necessary.
- **Red flashing light (every ½ second):**
Invalid status. Turn the function selector to a valid position.
- **Orange fast flashing light:**
Change of position with the function selector, one blink.
- **Orange flashing light (every 1 second for totally 45 seconds):**
Stabilization of the motion sensor.



INSTALLATION

Removing protective strip from battery

The protective strip must be removed from the battery before the Motion is used for the first time.



Pairing the Motion with a carephone

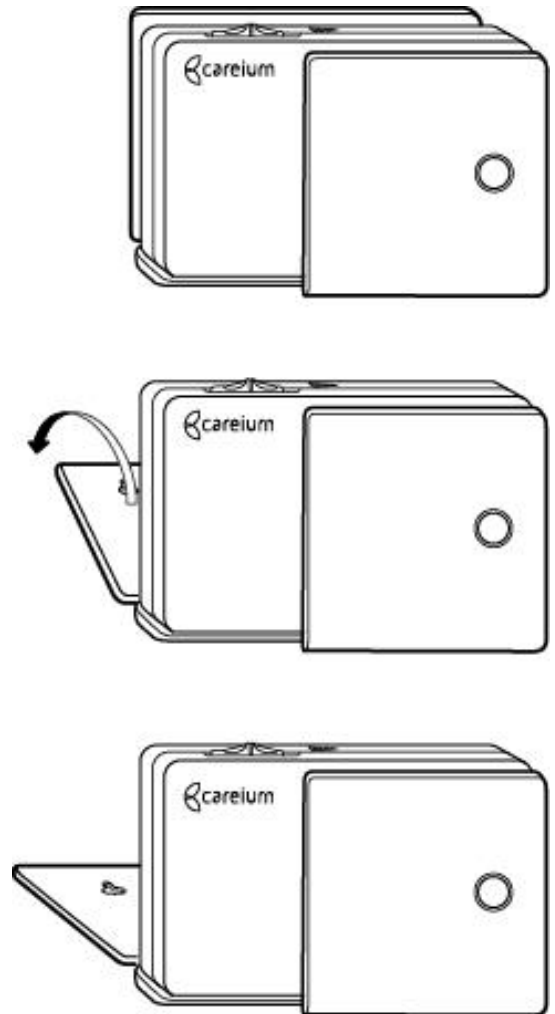
The Motion can be paired to a Careium Carephone as described in the following sections for each selectable mode.

The Motion can also be connected to other social alarm systems, please refer to that systems documentation for the installation process.

Installation of Motion

Place the Motion in the area that shall be overseen and point the motion sensor into the field of interest. Be aware of pointing the sensor in a direction which doesn't register passing people, this could trigger a false alarm.

For a stable mounting, use the supplied screws and attach the unit against the wall, door frame etc. When placing the Motion on the floor or any other flat surface, the included folding stand can be used for an easy setup.



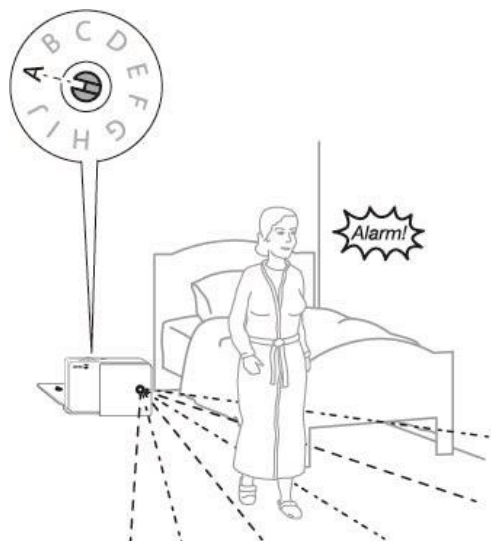
A – Motion alarm, basic mode

Turn the function selector to position A and power the Motion unit on. Place the Motion on the floor with the sensor directed towards the area of interest. See the picture for an example.

The stabilization of the motion sensor takes about 45 seconds, the indicator lamp is flashing orange during this time.

When the indicator lamp has stopped flashing orange, connect the Motion to the Carephone as following:

1. Press the green button on the carephone for about 4 seconds until a beep can be heard.
(For Eliza, press the radio pairing button found in the back panel.)
2. Activate the Motion by making movements in front of the motion sensor, a melody can be heard from the carephone.
3. Confirm the activation by pressing the red button on the Carephone. A confirmation melody is heard from the Carephone.
4. The units are now connected, make a test alarm by activating the motion sensor to verify the function.



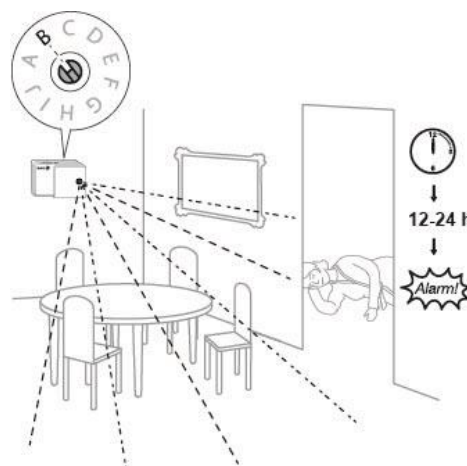
B – Motion alarm, inactivity alarm

Turn the function selector to position A and power the Motion unit on. (This will be changed to position B later). Place the Motion in an area where motion activity can be expected during an eligible time. See the picture for an example.

The stabilization of the motion sensor takes about 45 seconds, the indicator lamp is flashing orange during this time.

When the indicator lamp has stopped flashing orange, connect Motion to the carephone as following:

1. Press the green button on the carephone for about 4 seconds until a beep can be heard.
(For Eliza, press the radio pairing button found in the back panel.)



2. Activate Motion by making movements in front of the sensor, a melody can be heard from the carephone.
3. Confirm the activation by pressing the red button on the Carephone. A confirmation melody is heard from the Carephone.
4. The units are now connected, make a test alarm by activating the motion sensor to verify the function.
5. Turn the function selector to position B without changing the Motion sensors surveillance area too much.
6. The function for inactivity alarm need complementary programming in the carephone after the units are successfully paired. This programming can be done in i-care online. Parameters to be changed are:
 - a. "PIR activation" = 12
 - b. "Passive alarm [hours]" = 0-999

E – Motion alarm, ON/OFF disabled

Turn the function selector to position E and power the Motion unit on. Follow the instructions for the section "INSTALLATION: A – Motion alarm, basic mode" to install the motion alarm. When the installation is completed, turn OFF the Motion on the ON/OFF switch. Make a test alarm to verify that the ON/OFF switch is disabled and that the unit is still active.

When the indicator lamp has stopped flashing orange, connect Motion to the carephone as following:

1. Turn the function selector to position E.
2. To install the motion alarm, follow the instructions for "INSTALLATION: A – Motion sensor, basic mode" (The unit should still be in position E during this step).
3. Turn OFF the ON/OFF switch on the Motion.
4. Make a test alarm to verify that the ON/OFF switch is disabled.

MAINTENANCE

Cleaning

All accessories from Careium can be cleaned with a slightly damp cloth. Do not use strong detergents or solvents.

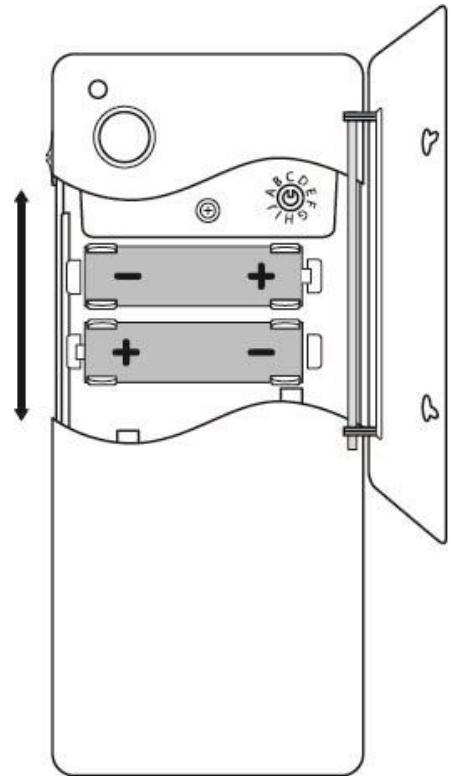
Battery

By opening the sliding cover to the second position, access is given to the batteries.

Use only Alkaline AA (LR06) batteries with good quality. When changing the batteries, take notice to the polarity of the batteries to avoid electrical damage.

The duration of the batteries depends on the quality, the amount of sent alarms and if additional programming has been done to the mBox.

Batteries mentioned above can be ordered from your supplier.



TECHNICAL INFORMATION

Motion

Article number:	300 155
Dimensions:	110 x 70 x 41/100 mm
Power supply:	2x 1.5V LR6/AA Alkaline batteries
Duration: batteries	Up to 6 months running on
Radio frequency:	869,2 MHz
Equipment class:	Class 1 radio equipment



ENVIRONMENT

Temperature:	+5 to +35 °C
Humidity: humidity	0 to 75% relative
Environment class:	I

ENVIRONMENTAL INFORMATION

This product complies with the requirements of the EU directive 2006/66/EC (Batteries) and 2012/19/EU (WEEE). These directives regulate the product liability for battery, electrical and electronic recycling with the purpose of increasing recycling and minimizing waste. The Eliza is marked with the “crossed out wheeled bin” logo, which indicates that it should be handed in for recycling.

The product can be returned free of charge to a recycling station that is connected, directly or via a recycling system, to Careium or to your distributor. For detailed instructions, please check with your distributor or visit our website, www.careium.com

Note! The WEEE information and recycling instructions applies to European Union member states only. For other countries please check local legislation or contact your distributor.

Manufactured in accordance with the EU directive, 2011/65/EU (RoHS2).

DECLARATION OF CONFORMITY

EU Declaration of conformity

Hereby, Careium Sweden AB declares that the radio equipment is in compliance with Directive 2014/53/EU and 2011/65/EU. The full text of the EU declaration of conformity is available at the following internet address: www.careium.com/dofc

UK Declaration of Conformity

Hereby, Careium Sweden AB declares that the radio equipment is in compliance with the relevant UK legislation. The full text of the UK declaration of conformity is available at the following internet address: www.careium.com/dofc

